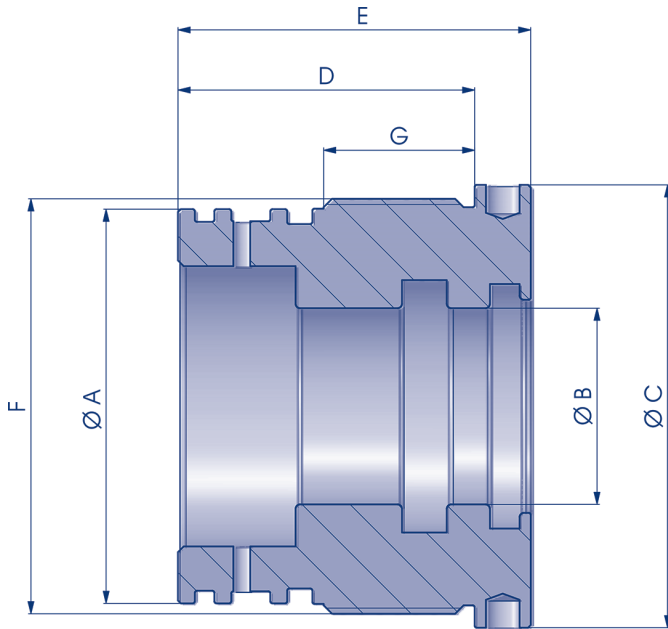




**TESTATA FRENANTE  
CUSHIONING HEAD BREMSKOPF  
TÊTE FREINANTE CABEZA FRENANTE**



| NEW | COD.         | A   | B  | C   | D  | E  | F       | G  | Kg   |
|-----|--------------|-----|----|-----|----|----|---------|----|------|
| •   | NBTF04005020 | 40  | 20 | 49  | 45 | 53 | M44X1.5 | 19 | 0,31 |
| •   | NBTF04005025 | 40  | 25 | 49  | 45 | 53 | M44X1.5 | 19 | 0,26 |
|     | NBTF05006025 | 50  | 25 | 59  | 48 | 56 | M54X1.5 | 22 | 0,52 |
|     | NBTF05006030 | 50  | 30 | 59  | 48 | 56 | M54X1.5 | 22 | 0,46 |
|     | NBTF06007030 | 60  | 30 | 69  | 53 | 63 | M64X1.5 | 27 | 0,84 |
|     | NBTF06007035 | 60  | 35 | 69  | 53 | 63 | M64X1.5 | 27 | 0,75 |
|     | NBTF06007040 | 60  | 40 | 69  | 53 | 63 | M64X1.5 | 27 | 0,67 |
|     | NBTF06307330 | 63  | 30 | 73  | 53 | 63 | M68X1.5 | 25 | 0,97 |
|     | NBTF06307335 | 63  | 35 | 73  | 53 | 63 | M68X1.5 | 25 | 0,88 |
|     | NBTF06307340 | 63  | 40 | 73  | 53 | 63 | M68X1.5 | 25 | 0,80 |
|     | NBTF07008030 | 70  | 30 | 79  | 53 | 63 | M74X1.5 | 27 | 1,22 |
|     | NBTF07008035 | 70  | 35 | 79  | 53 | 63 | M74X1.5 | 27 | 1,12 |
|     | NBTF07008040 | 70  | 40 | 79  | 53 | 63 | M74X1.5 | 27 | 1,01 |
|     | NBTF07008045 | 70  | 45 | 79  | 53 | 63 | M74X1.5 | 27 | 0,92 |
|     | NBTF08009235 | 80  | 35 | 92  | 63 | 73 | M85X2   | 33 | 1,95 |
|     | NBTF08009240 | 80  | 40 | 92  | 63 | 73 | M85X2   | 33 | 1,78 |
|     | NBTF08009245 | 80  | 45 | 92  | 63 | 73 | M85X2   | 33 | 1,67 |
|     | NBTF08009250 | 80  | 50 | 92  | 63 | 73 | M85X2   | 33 | 1,53 |
| •   | NBTF09010540 | 90  | 40 | 104 | 63 | 73 | M95X2   | 33 | 2,34 |
| •   | NBTF09010545 | 90  | 45 | 104 | 63 | 73 | M95X2   | 33 | 2,18 |
| •   | NBTF09010550 | 90  | 50 | 104 | 63 | 73 | M95X2   | 33 | 2,08 |
| •   | NBTF09010560 | 90  | 60 | 104 | 63 | 73 | M95X2   | 33 | 1,69 |
|     | NBTF10011540 | 100 | 40 | 114 | 83 | 95 | M105X2  | 51 | 4,08 |
|     | NBTF10011545 | 100 | 45 | 114 | 83 | 95 | M105X2  | 51 | 3,92 |
|     | NBTF10011550 | 100 | 50 | 114 | 83 | 95 | M105X2  | 51 | 3,75 |
|     | NBTF10011560 | 100 | 60 | 114 | 83 | 95 | M105X2  | 51 | 3,24 |